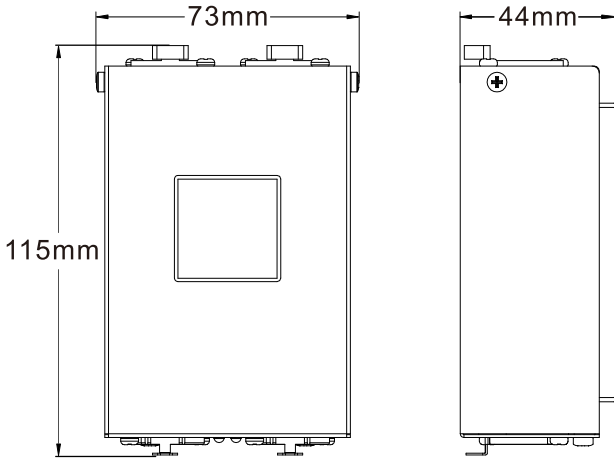


# 1 / Technical feature

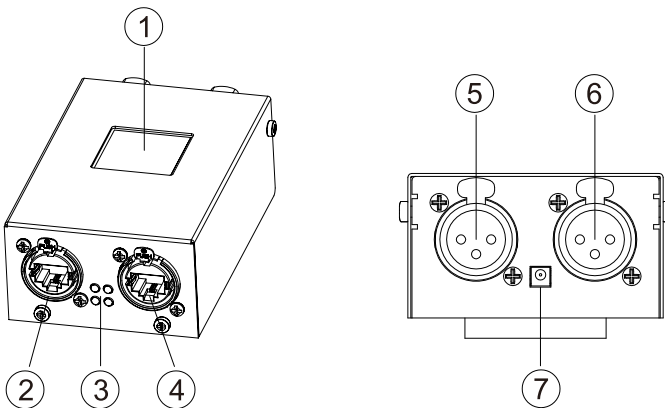
Technical Feature	TEKMAND NODE T2P
Function	2 PoE Ethernet network interfaces(10/100/1000M) , Supporting PoE cascading; 2 DMX512 output interfaces; Built-in 1 color touch screen; Support PoE network power supply; Support multiple network protocols: ArtNet、sACN; Support ArtNet remote software upgrade/ remote configuration prot; Support web to view device status; Support DMX frame rate (packet rate)setting; Support RDM remote lighting management.
Input voltage	DC 12V , PoE
Power input	1. 3W
Product size	115mm×73mm×44mm
Package size	166mmx140mmx70mm
Net weight	0.35Kg
Gross weight	0.4Kg
Packing method	1 pcs/carton box
Protection class	IP 20

# 2 / Product introduction

## 2.1 Fixture profile dimension



## 2.2 Equipment introduction



1. LCD touch screen
2. Ethernet input
3. Indicator light
4. Ethernet output
5. DMX 1
6. DMX 2
7. Input voltage(DC 12V)

# 3 / Package & delivery

## 3.1 Package parts

The product is packed with carton box. The parts listed below (Shown as table 3.1-1) .

Accessories	QTY	UNIT
Power supply	1	PCS
Velcro	1	PCS
User manual	1	PCS
Warranty card	1	PCS
Certificate	1	PCS

Table (3.1-1)

# 4 / Safety information

The following symbols are used to identify important safety information on the product and in this manual:



**DANGER!**  
Safety hazard.  
Risk of severe injury or death.



**DANGER!**  
Refer to manual before installing, powering or servicing.



**DANGER!**  
Hazardous voltage.  
Risk of severe or lethal electric shock.



**Warning!**  
Fire hazard.



For indoor use only

ta . . . C

Rated maximum ambient temperature is 40°C.



Read this User Manual before mounting and energizing the fixture. Observe the safety guideline and notice the warnings both in this User Manual and on the fixture. Yet any safety concerns not covered hereby, contact the distributor or service hot-line.



### Protection against burning or fire

Do not attempt to bypass the thermostat switch or fuse. Replace defective fuses with specified ratings only. Keep flammable materials far away from the fixture. Minimum distance from the flammable materials is 0.5m.

### Touch screen

Do not use metal or other sharp objects to operate the touch screen, so as not to damage the screen. Be careful not to let hard objects touch the touch screen during transportation.

# 5 / Product connection

## 5.1 Power connection

The following table describes the power supply configurations

Power supply	Specification parameter
Power adapter	100V AC~240VAC 50/60Hz,12V@1A

## 5.2 Signal connection

